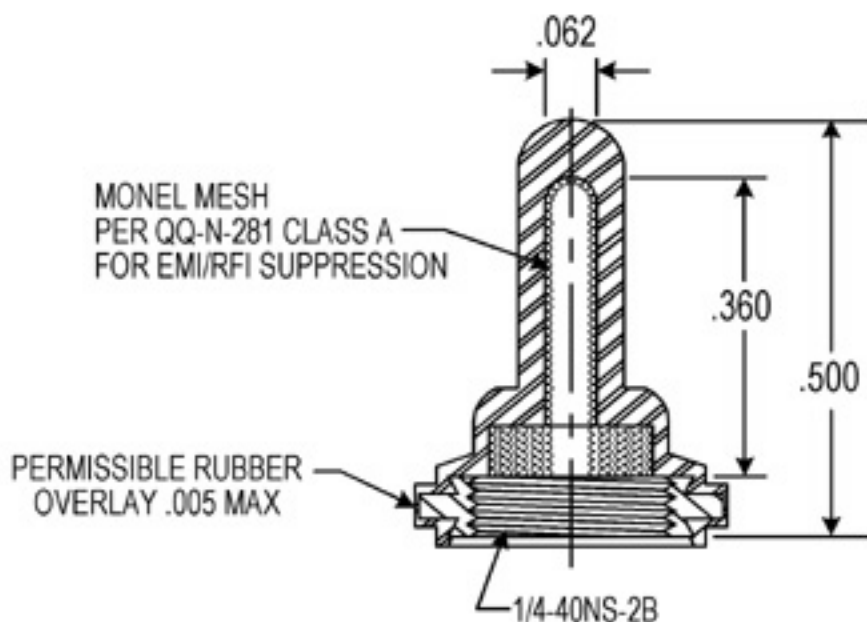


SPECIFICATIONS

- Material:** HEXSEALS: Silicone rubber conforms to ZZ-R-765 Class III, GR 50 (unless otherwise specified)
- Mounting Nut:** HEXSEALS: Brass, nickel-plated
- Temperature Range:** HEXSEALS: -94°F to +400°F
- Pressure Range:** Exceeds 15 psi internal and 1500 psi external.
(N5032B: 10 psi)
- Operational Life:** 15,000 actuations (minimum).
- Shelf Life:** Excess of 25 years.
- Resistant to:** Salt spray, sunlight, ozone, weather, fungus, and most acids and lubricating oils
- Military Approvals:** Most HEXSEALS are QPL-approved to MIL-B-5423.
- Agency Recognition:** E-SEALS and HEXSEALS are UL-listed to UL Std. 50 types 1-13, and meet CSA standards.
- Installation:** If a reducing adaptor is required – see page 14 of HEXSEAL catalog HEX200 for part numbers and drawing.



E	CAD COMPUTER GENERATED		9-23/02
D	UPDATED AND REDRAWN	R.C.	7-14-76
REV.	DESCRIPTION		DATE
MAXIMUM AND MINIMUM MEASUREMENTS ARE STATED DIRECTLY ON EACH DIMENSION.		ENG.	
TITLE: EMI/RFI SHIELDED BOOT		DWN.	N.K. STEIGER
TITL: TOGGLE SWITCH (N-5030L RFI)		CHKD.	8-30-65
MAT'L: SILICONE RUBBER PER ZZ-R-765 CLIII GR50		SCALE	(N-5030L RFI)
FINISH: GRAY		4:1	HEXSEAL®
APM-HEXSEAL CORPORATION		DWG. NO.	

THIS DRAWING COVERS PROPRIETARY ITEM AND IS THE PROPERTY OF THE APM-HEXSEAL CORPORATION. THIS DRAWING IS NOT TO BE COPIED OR USED WITHOUT THE WRITTEN APPROVAL OF AN OFFICER OF THE APM-HEXSEAL CORPORATION.